

The Tomb

Glue this floor plan down to some heavy paper stock.
Glue your floor tiles down to the plan.

Be sure to use the small square **recessed** blocks for the floor and tomb (not the raised ones).

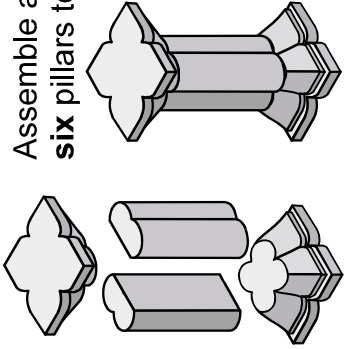


Use these

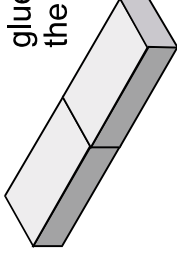


Not these

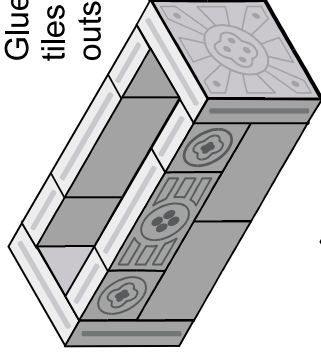
Assemble and glue **six** pillars together.



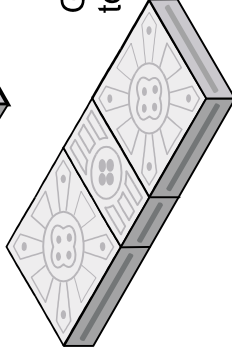
For the sarcophagus, glue 2 flat tiles to form the bottom.



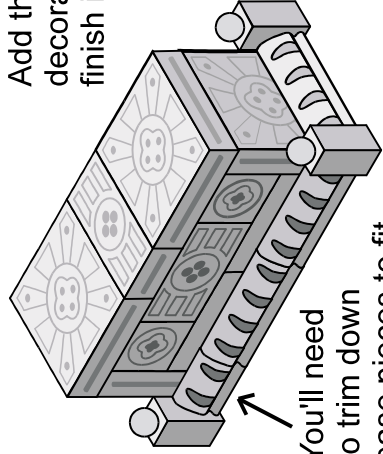
Glue these other tiles around the outside as shown.



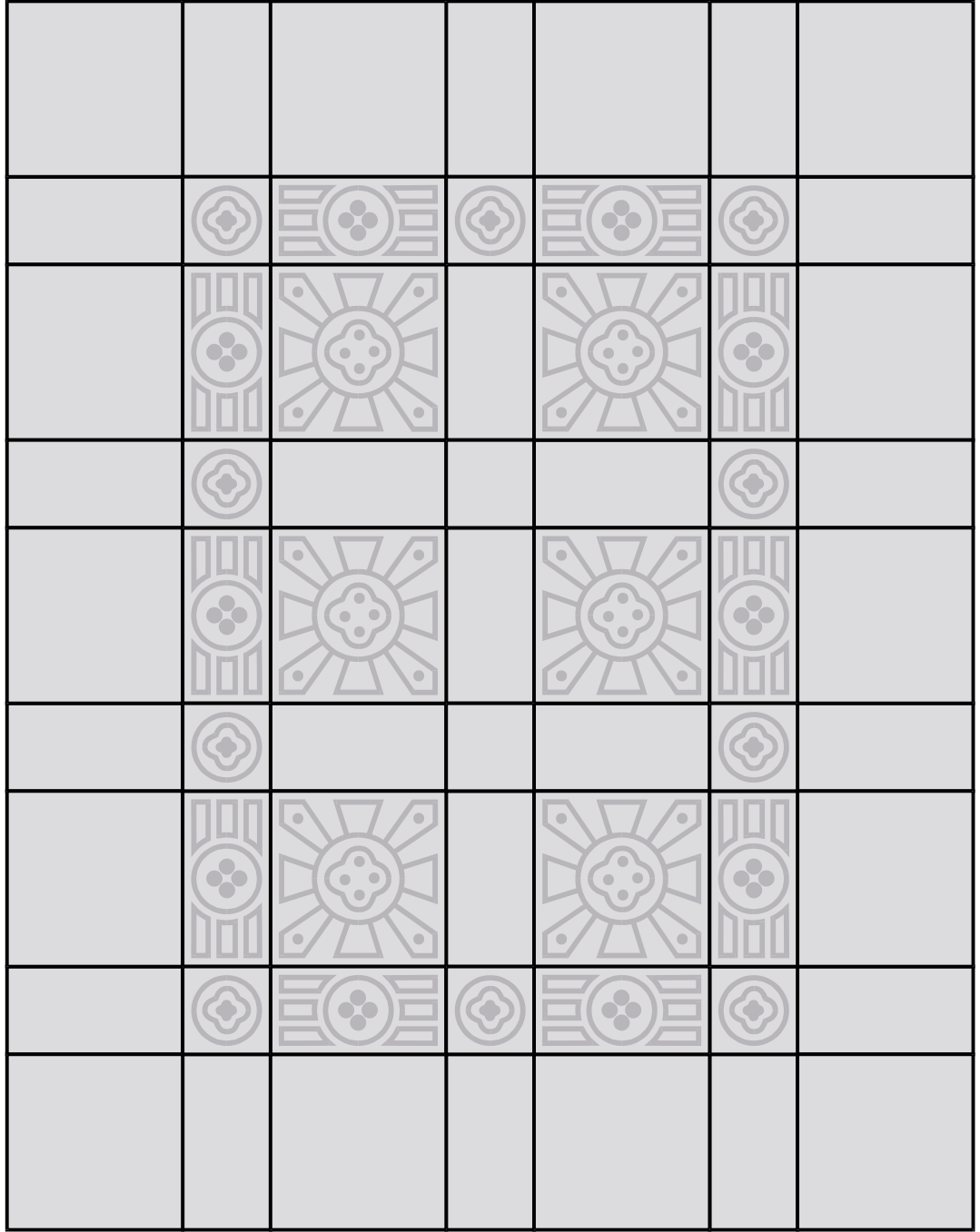
Glue these tiles to form the lid.



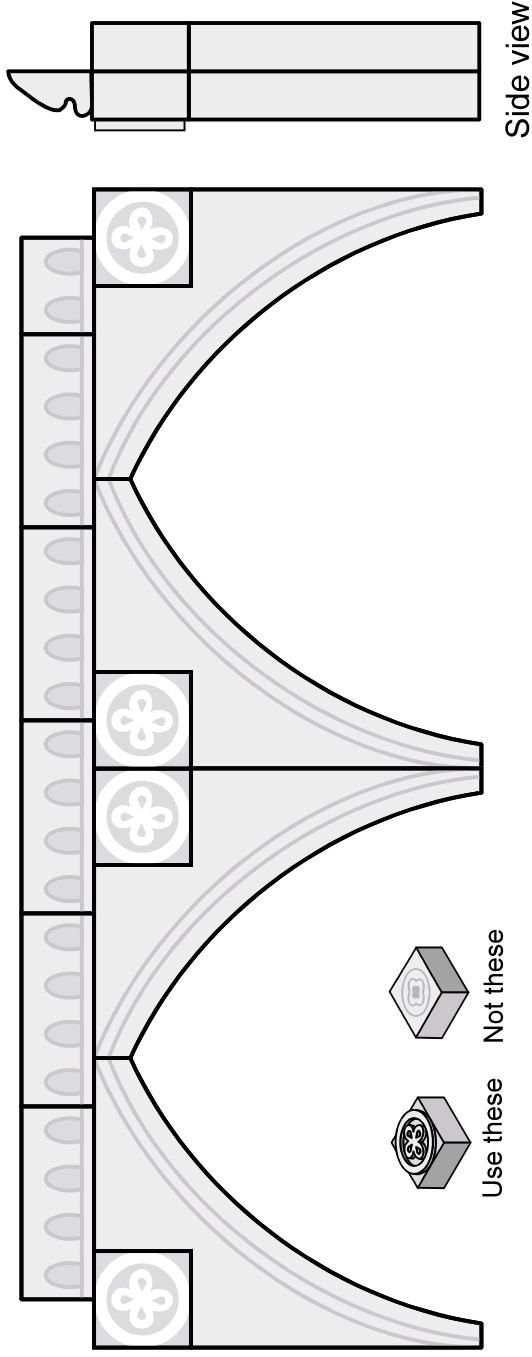
Add the base decorations to finish it.



You'll need to trim down base pieces to fit.

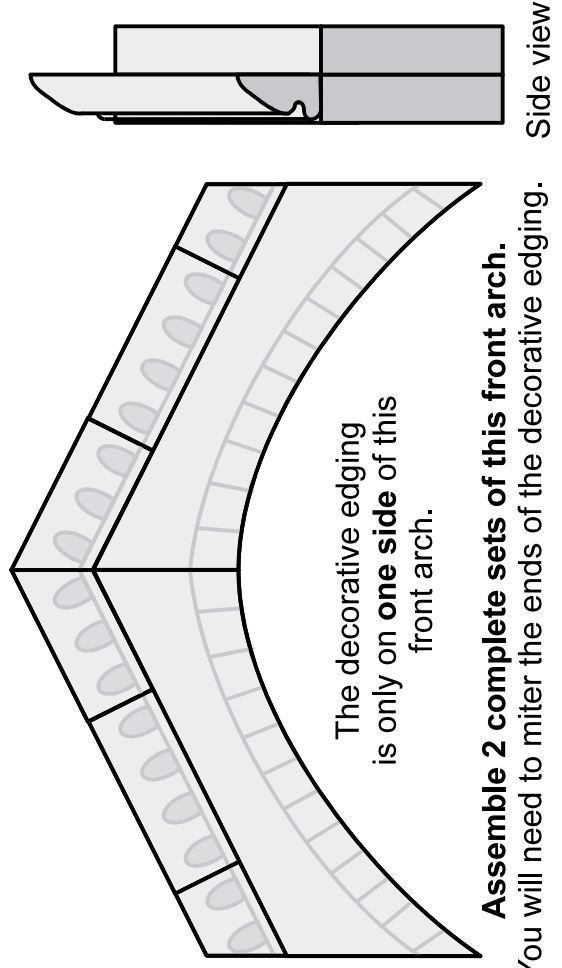


The Tomb



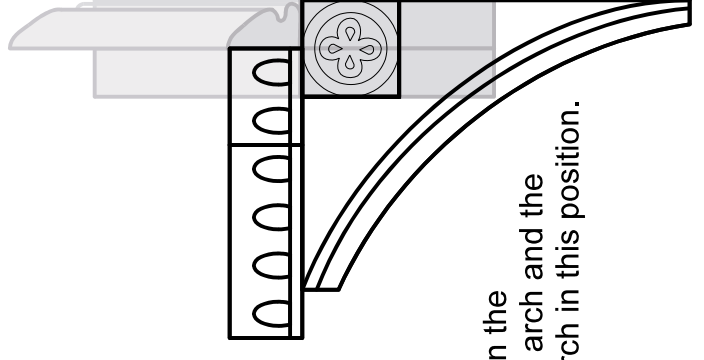
Assemble this double arch using the raised square blocks (not the recessed ones). The **back of this double arch** will be the same except with **plain square blocks** and **no decorative top edging**.

You will need **2 complete sets of double arches** (one for each side wall of the tomb).

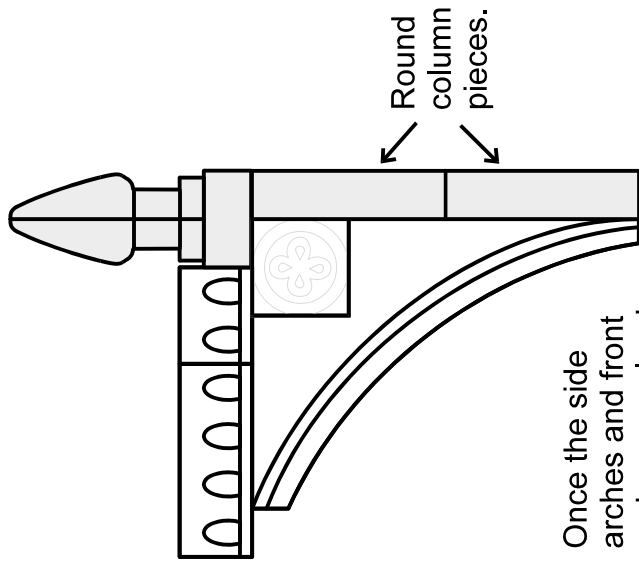


Assemble 2 complete sets of this front arch.

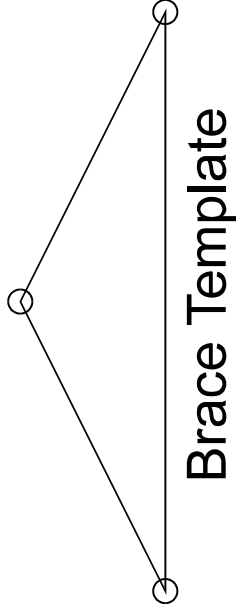
You will need to miter the ends of the decorative edging.



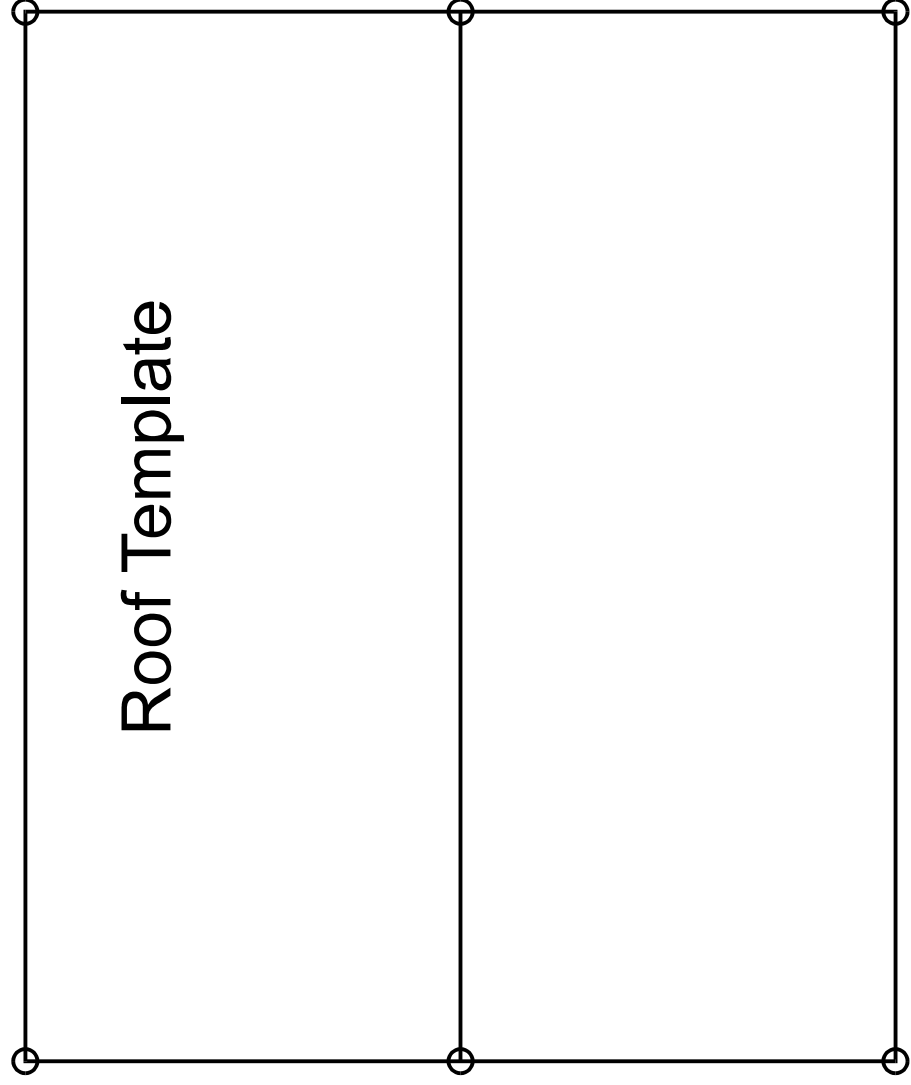
The Tomb



Once the side arches and front arches are glued together, add the pieces shown in gray to the edges of the structure.



Brace Template



Roof Template